

Beacons: Explosionproof Flashing Xenon 116 Series



Edwards 116 Series mass notification strobes are designed for use in Class 1, Division 1 and 2 explosionproof and hazardous location (non fire alarm) applications where electrical supervision is required. The units feature two lenses, an outer clear globe, and an inner colored lens available in amber, red, green, blue or magenta.

This diode-polarized unit is UL 1638 and cUL listed for outdoor use as a NEMA Type 3R and 4X enclosure. The strobe has been evaluated to UL 1971 polar plot requirements with on axis light output values.

The 116 Series features an enhanced synchronization circuit to comply with the latest requirements of UL 1971, signaling devices for the hearing impaired, and the Canadian standard CAN/ULC S526. Synchronized operation requires a separately installed synchronization control module, compatible Edwards control panel or booster power supply. See table on the following page for a list of compatible synchronization modules.

Mounting options are available (ordered separately) for wall, ceiling and pendant mounts. The unit is supplied with a guard installed over the clear outer globe for additional protection against impact.

Features and Specifications

- Xenon light source
- Clear globe with dome guard
- Five lens colors
- Flash rate 65 fpm
- Three mounting options: wall, ceiling, or pendant (ordered separately)
- Negligible in-rush current
- Can be synchronized when connected to a compatible Edwards control panel, booster power supply or synchronization module
- NEMA Type 3R and 4X enclosures
- Explosionproof: Class I, Div 1, Groups C and D; Class I, Div 2, Groups A and B; Class I, Div 1 and 2, Groups C and D; Class II and III, Div 1, Groups E, F and G; Class II and III, Div 2, Groups F and G.



← 7.25" →



NOTE: Mounting options not included (ordered separately)

Ordering Information

Description	Cat. No.	Operating Voltage	Current	Lens Colors	Light Output UL 1971	Replacement	
						Dome	Guard
Explosionproof Mass Notification Strobe	116DEGEXA-FJ	16-33V DC/FWR	0.505 A, DC, RMS 0.683 A, FWR, RMS	Amber	36 cd	116-Globe	116-GRD
	116DEGEXB-FJ	16-33V DC/FWR	0.505 A, DC, RMS 0.683 A, FWR, RMS	Blue	14 cd	116-Globe	116-GRD
	116DEGEXG-FJ	16-33V DC/FWR	0.505 A, DC, RMS 0.683 A, FWR, RMS	Green	19 cd	116-Globe	116-GRD
	116DEGEXM-FJ	16-33V DC/FWR	0.505 A, DC, RMS 0.683 A, FWR, RMS	Magenta	9 cd	116-Globe	116-GRD
	116DEGEXR-FJ	16-33V DC/FWR	0.505 A, DC, RMS 0.683 A, FWR, RMS	Red	6 cd	116-Globe	116-GRD

Beacons: Explosionproof Flashing Xenon 116 Series

Required Mounting Options

Description	Cat. No.	Conduit Size
Wall Bracket Mounting Elbow	116EX-B ¹	N/A
Ceiling/Wall Mounting Module	116EX-C	3/4" NPT
Pendant Mounting Module	116EX-P	3/4" NPT

¹Note: Wall mount requires both 116EX-B and 116EX-C.

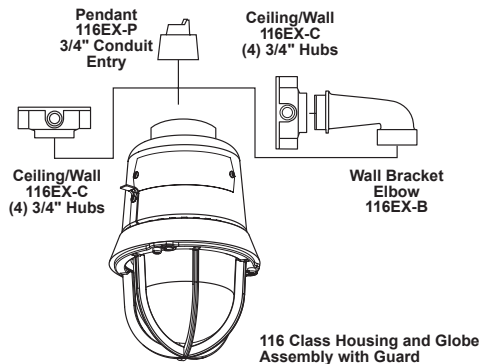
Compatible Synchronization Modules

Description	Cat. No.
Auto-sync Output Module	SIGA-CC1S
	SIGA-CC1S-LG
	SIGA-MCC1S
	SIGA-MCC1S-LG
Genesis Signal Master - Remote Mount	ADTG1M-RM
	EG1M-RM
	G1M-RM
	G1M-RM-LG
	MG1M-RM
	XLSG1M-RM
	ZG1M-RM

Hazardous Location Ratings

Cat. No.	Operating Temperature					
	Ambient Temp.	Supply Wire Temp. Marking	Class I, Div. 2 Groups A, B	Class I, Div. 1 & 2 Groups C, D	Class II & III, Div. 1 Groups E, F, G	Class II & III, Div. 2 Groups F, G
116 Series	40°C	75°C	T2B (260°C)	T6 (85°C)	T4A (120°C)	T4A (120°C)
	55°C	90°C	T2B (260°C)	T6 (85°C)	T4 (135°C)	T4 (135°C)
	65°C	105°C	T2B (260°C)	T6 (85°C)	T3C (160°C)	T3C (160°C)

Mounting Options



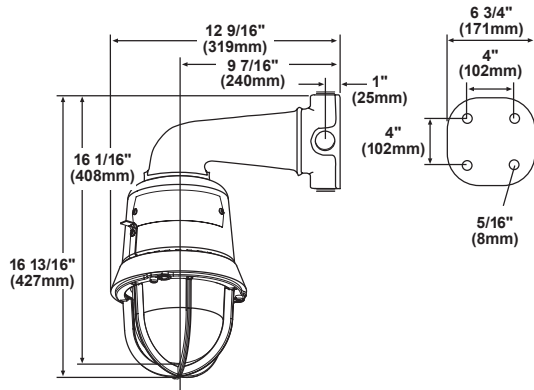
NOTE: 116EX-C must be used when application requires 116EX-B

Beacons: Explosionproof Flashing Xenon 116 Series

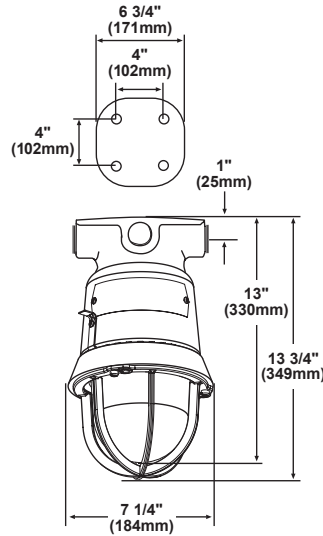
Weights and Dimensions

Cat. No.	Approx. Net Weight (lb.)	Approx. Shipping Weight (lb.)
116DEGEXA-FJ	11.40	12.44
116DEGEXB-FJ	11.40	12.44
116DEGEXG-FJ	11.40	12.44
116DEGEXM-FJ	11.40	12.44
116DEGEXR-FJ	11.40	12.44
116EX-B	2.02	2.28
116EX-C	2.50	2.80
116EX-P	1.10	1.26

Wall Mount
116EX-B



Ceiling Mount
116EX-C



Pendant Mount
116EX-P

